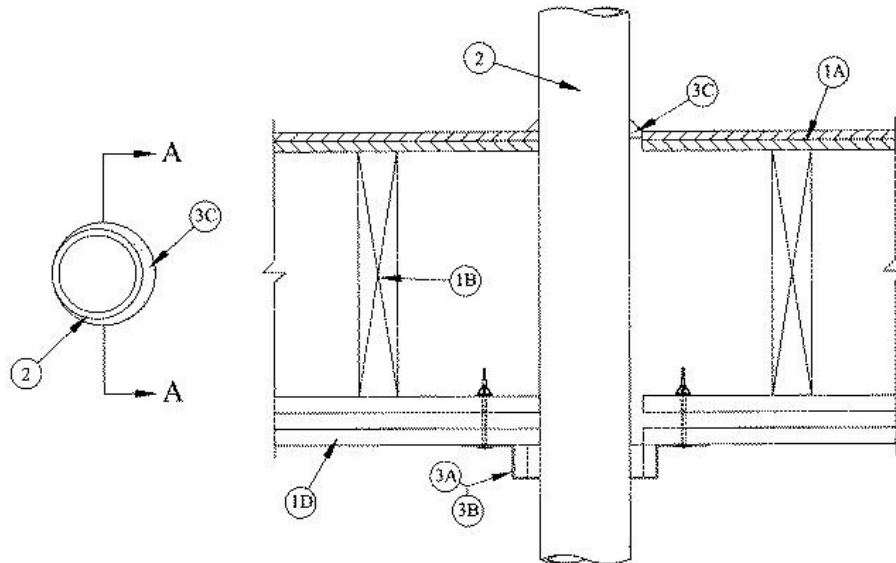


System No. F-C-2463

February 12, 2018

F Ratings — 1 and 2 Hr (See Item 2)

T Ratings — 0 and 2 Hr (See Item 2)



SECTION A-A

1. Floor Ceiling Assembly — The 1 hr fire-rated solid or trussed lumber joist floor-ceiling assembly shall be constructed of the materials and in the manner specified in the individual L500 Series Floor-Ceiling Designs in the UL Fire Resistance Directory. The 2 hr fire-rated wood joist floor-ceiling assembly shall be constructed of the materials and in the manner specified in Design Nos. L505, L511 or L536 in the UL Fire Resistance Directory.

A. Flooring System — Lumber or plywood subfloor with finish floor of lumber, plywood or **Floor Topping Mixture*** as specified in the individual Floor-Ceiling Design. Max diam of floor opening is 5 in. (127 mm)

B. Wood Joists* — For 1 hr fire-rated floor-ceiling assemblies nom 10 in. (254 mm) deep (or deeper) lumber, steel or combination lumber and steel joists, trusses or **Structural Wood Members*** with bridging as required and with ends firestopped. For 2 hr fire-rated floor-ceiling assemblies, nom 2 by 10 in. (51 by 254 mm) lumber joists spaced 16 in. (406 mm) OC with nom 1 by 3 in. (25 by 76 mm) lumber bridging and with ends firestopped.

C. Furring Channels — (Not Shown) — In 2 hr fire-rated assemblies, resilient galv steel furring installed perpendicular to wood joists between first and second layers of gypsum board (Item 1D). Furring channels spaced max 24 in. (610 mm) OC. In 1 hr fire-rated assemblies, resilient galv steel furring installed perpendicular to wood joists between gypsum board and wood joists as specified in the individual Floor-Ceiling Design. Furring channels spaced max 24 in. (610 mm) OC.

D. Gypsum Board* — Nom 4 ft wide by 5/8 in. (1219 by 16 mm) thick as specified in the individual Floor-Ceiling Design. First layer of gypsum board secured to wood joists or furring channels as specified in the individual Floor-Ceiling Design. Second layer of

gypsum board (2 hr fire-rated assembly) screw-attached to furring channels as specified in the individual Floor-Ceiling Design. Max diam of ceiling opening is 5 in. (127 mm)

The F and T Ratings of the firestop system are dependent upon the to the hourly fire rating of the floor-ceiling assembly and the type of through penetrant as shown in Item 2.

1.1 **Chase Wall** — (Not Shown, Optional) — The through penetrants (Item 2) may be routed through a 1 or 2 hr fire-rated single, double or staggered wood stud/gypsum board chase wall having a fire rating consistent with that of the floor-ceiling assembly. The chase wall shall be constructed of the materials and in the manner specified in the individual U300 Series Wall and Partition Designs in the UL Fire Resistance Directory and shall include the following construction features:

- A. **Studs** — Nom 2 by 6 in. (51 by 152 mm)lumber or double nom 2 by 4 in. (51 by 102 mm) lumber studs.
- B. **Sole Plate** — Nom 2 by 6 in. (51 by 152 mm) lumber or parallel 2 by 4 in. (51 by 102 mm) lumber plates, tightly butted.
- C. **Top Plate** — The double top plate shall consist of two nom 2 by 4in. (51 by 102 mm) lumber plates or two sets of nom 2 by 4 in. (51 by 102 mm) lumber plates tightly butted. Max diam of opening is 5 in. (127 mm)
- D. **Gypsum Board*** — Thickness, type number or layers and fasteners shall be as specified in individual Wall and Partition Designs.

2. **Through Penetrants** — One nonmetallic pipe or conduit to be installed either concentrically or eccentrically within the firestop system. The space between pipe or conduit and periphery of opening shall be min 0 in. (0 mm) (point contact) to max 1/2 in. (13 mm). Pipe or conduit to be rigidly supported on both sides of floor-ceiling assembly. The following types and sizes of nonmetallic pipes or conduits may be used:

- A. **Polyvinyl Chloride (PVC) Pipe** — Nom 4 in. (102 mm) diam (or smaller) Schedule 40 cellular or solid core PVC pipe for use in closed (process or supply) or vented (drain, waste or vent) piping systems.
- B. **Rigid Nonmetallic Conduit+** — Nom 4 in. (102 mm) diam (or smaller) Schedule 40 PVC conduit installed in accordance with Article 347 of the National Electrical Code (NFPA No. 70).
- C. **Chlorinated Polyvinyl Chloride (CPVC) Pipe** — Nom 4 in. (102 mm) diam (or smaller) SDR 13.5 CPVC pipe for use in closed (process or supply) piping systems.
- D. **Acrylonitrile Butadiene Styrene (ABS) Pipe** — Nom 4 in. (102 mm) diam Schedule 40 cellular or solid core ABS pipe for use in closed (process or supply) or vented (drain, waste or vent) piping systems.

The F and T Ratings of the firestop system are dependent upon the hourly fire rating of the floor-ceiling assembly and the type of through penetrant as shown in the table below:

Assembly rating, Hr	Type of Penetrant	F Rating, Hr	T Rating, Hr
2	ABS pipe	2	2

2	PVC pipe, RNC or CPVC pipe	2	0
1	ABS pipe	1	1
1	PVC pipe, RNC or CPVC pipe	1	0

3. Firestop System — The firestop system shall consist of the following:

A. Fill, Void or Cavity Material* — Wrap Strip — Nom 1/4 in. (6 mm) thick intumescent material faced on both sides with a plastic film, supplied in 1 in. (25 mm) wide strips. Two layers of wrap strips are individually wrapped around the through-penetrant with the ends butted and held in place with masking tape. Butted ends in successive layers shall be offset or aligned. The wrap strips are wrapped around through-penetrant on underside of gypsum board ceiling.

EVERKEM DIVERSIFIED PRODUCTS INC — Flame Tech Wrap Strip

B. Steel Collar — Collar fabricated from coils of precut 0.018 in. (0.46 mm) thick (28 MSG) galv sheet steel available from wrap strip manufacturer. Collar shall be nom 1 in. deep with min four 1 in. (25 mm) wide by 2 in. (51 mm) long anchor tabs for securement to underside of ceiling. Retainer tabs, 3/4 in. (19 mm) wide tapering down to 1/4 in. (6 mm) wide and located opposite the anchor tabs, are folded 90 degrees toward through-penetrant surface to maintain the annular space around the through-penetrant and to retain the wrap strips. Steel collar wrapped around wrap strips and through-penetrant with a 1-1/2 in. (38 mm) wide overlap along its perimeter joint and secured together by means of a min 1/2 in. (13 mm) wide by 0.028 in. (.71 mm) thick stainless steel hose clamp installed at midheight of the collar. Collar secured to ceiling at each anchor tab with 3/16 in. (4.8 mm) diam by min 3 in. (76 mm) long toggle bolts in conjunction with min 1/4 in. by 1-1/4 in. (6 mm by 32 mm) diam steel fender washers.

C. Fill, Void or Cavity material* — Sealant — Min 1/4 in. (6 mm) thickness of fill material applied within the annulus, flush with the top surface of the floor or sole plate. At point contact, min 3/8 in. (10 mm) diam bead of fill material applied at penetrant/floor or sole plate interface.

EVERKEM DIVERSIFIED PRODUCTS INC — Firestop 814+

+Bearing the UL Listing Mark

*Bearing the UL Classification Mark

*** Indicates such products shall bear the UL or cUL Certification Mark for jurisdictions employing the UL or cUL Certification (such as Canada), respectively.**